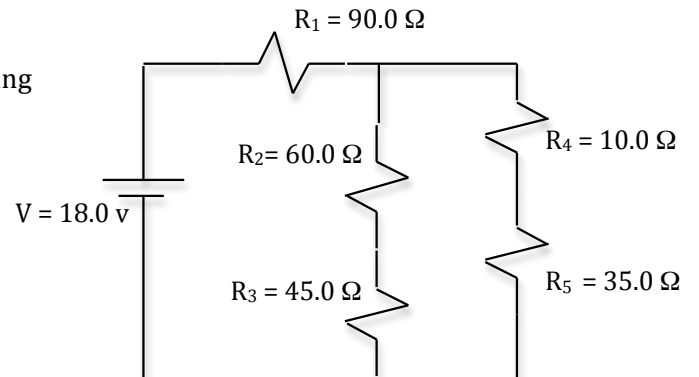


Name: _____

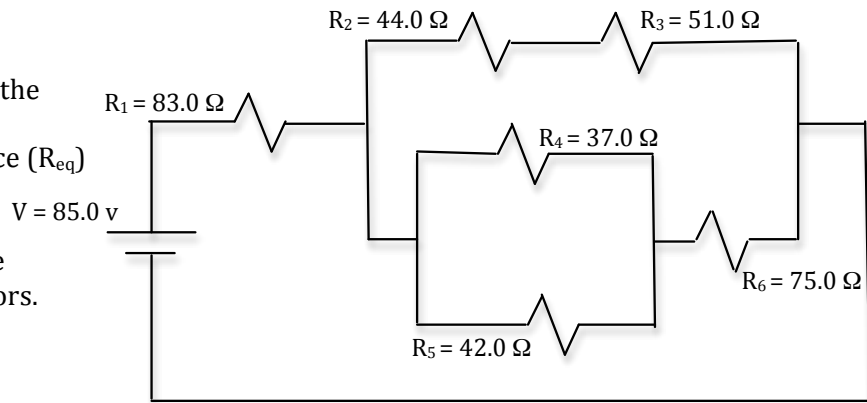
AP Physics 1: DC Circuits
Combination Circuit Practice

1. For the circuit shown, please do the following
 - A. Find the equivalent resistance (R_{eq})
 - B. Find the total current at the battery.
 - C. Find the current and voltage drop across any three resistors.



Resistor (Ω)	Voltage (v)	Current (A)

2. For the circuit shown, please do the following
- Find the equivalent resistance (R_{eq})
 - Find the total current at the battery.
 - Find the current and voltage drop across any three resistors.



Resistor (Ω)	Voltage (v)	Current (A)